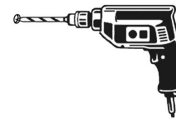



Make sure it is level
Use a pen to mark of the locations



Drill the mounting holes.

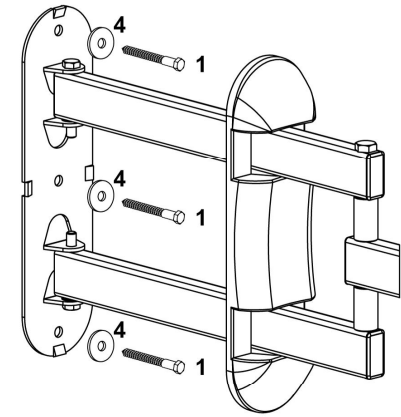
0  2

0  2

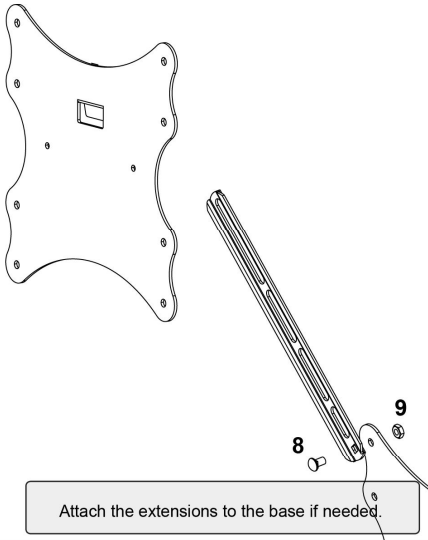
0  2

Insert the wall anchors* to the wall and tap them flush with a hammer.

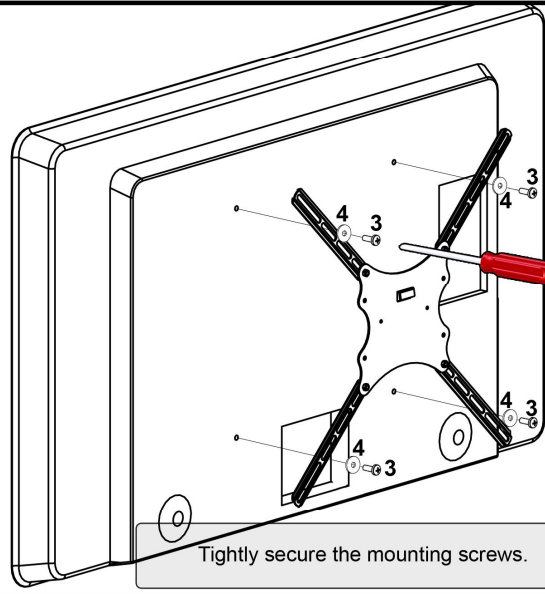
* Never use wall anchors on drywall



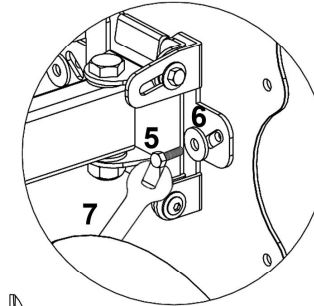
Fix the plate to the wall.



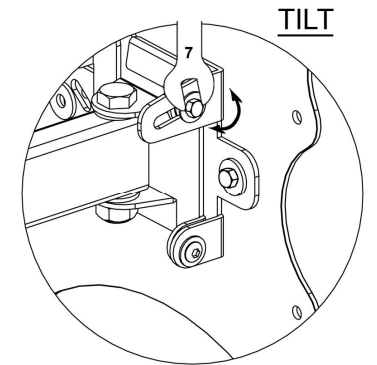
Attach the extensions to the base if needed.



Tightly secure the mounting screws.




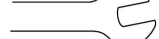










Attach the screen to the mount.



If too loose or too tight.

HARDWARE KIT

- | | | | |
|--|--|--|---|
| 1  x3 | 3  x4 | 4  x7 | 7  x1 |
| 2  x3 | 3  x4 | 5  x2 | 8  x4 |
| | 3  x4 | 6  x2 | 9  x4 |
| | 3  x4 | | |

