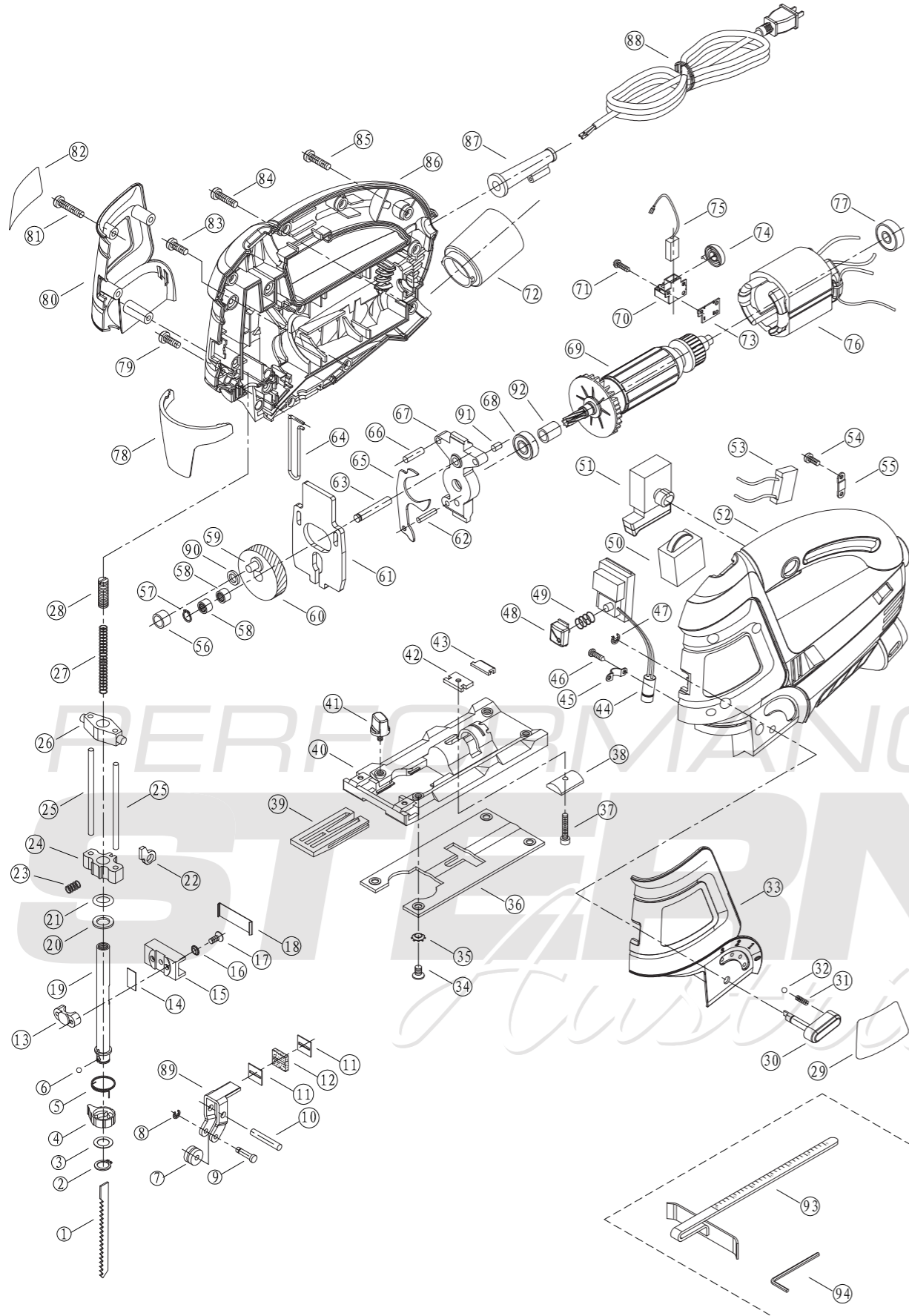


PERFORMANCE  
**STERN**<sup>®</sup>  
*Austria*  
**PRJS65-1**



# JIG SAW

NO.	DESCRIPTION
1	SAW BLADE
2	CIRLIP
3	WASHER
4	QUICK CHANGE BLADE BUTTON
5	SPRING
6	STEEL BALL
7	GUIDE ROLLER
8	CIRCLIP
9	GUIDE ROLLER PIN
10	GUIDE ROLLER HOLDER PIN
11	SQUARE WASHER
12	WOOL WASHER
13	FIXING FOR SAW ARM
14	WASHER
15	SLIP ORBIT
16	LOCKING WASHER
17	SCREW
18	SLIP ORBIT COVER
19	SAW ARM
20	WASHER
21	SEALED RING
22	FIXED PIECE
23	SPRING
24	DOWN SAW ARM HOLDER
25	GUIDE ORBIT PIN
26	UPPER SAW ARM HOLDER
27	SPRING
28	SCREW
29	NAME PLATE
30	PENDULUM SWITCH KNOB
31	SPRING
32	STEEL BALL

NO.	DESCRIPTION
33	LEFT HOUSING COVER
34	SCREW
35	TOOTH WASHER
36	BASE COVER
37	SCREW
38	CONNECTING PLATE
39	TRANSPARENT PLATE
40	BASE
41	WING SCREW
42	SQUARE NUT
43	BASE FIXING BLOCK
44	LASER
45	LASER HEAD CLAMP
46	SCREW
47	CIRCLIP
48	LASER SWITCH BUTTON
49	SPRING
50	VARIOUS SPEED SWITCH
51	SWITCH
52	LEFT HOUSING
53	CAPACITOR
54	SCREW
55	CORD CLAMP
56	BUSH
57	CIRCLIP
58	NEEDLE BEARING HK0609
59	PIN
60	GEAR
61	BALANCE BLOCK
62	GUIDE PIN
63	MIDDLE PIN
64	STEEL GUARD

NO.	DESCRIPTION
65	FIXING PIECE
66	GUIDE PIN
67	MIDDLE BLOCK
68	BEARING 608Z
69	ROTOR
70	CARBON BRUSH HOLDER
71	SCREW
72	DUST CONNECTOR
73	INSULATION WASHER
74	SPRING
75	CARBON BRUSH
76	STATOR
77	BEARING 607Z
78	TRANSPARENT GUARD
79	SCREW
80	RIGHT HOUSING COVER
81	SCREW
82	LABEL
83	SCREW
84	SCREW
85	SCREW
86	RIGHT HOUSING
87	CORD SLEEVE
88	CORD
89	GUIDE ROLLER HOLDER
90	WASHER
91	RUBBER PIN
92	PLASTIC BUSH
93	GUIDE RULER
94	HEX KEY WRENCH