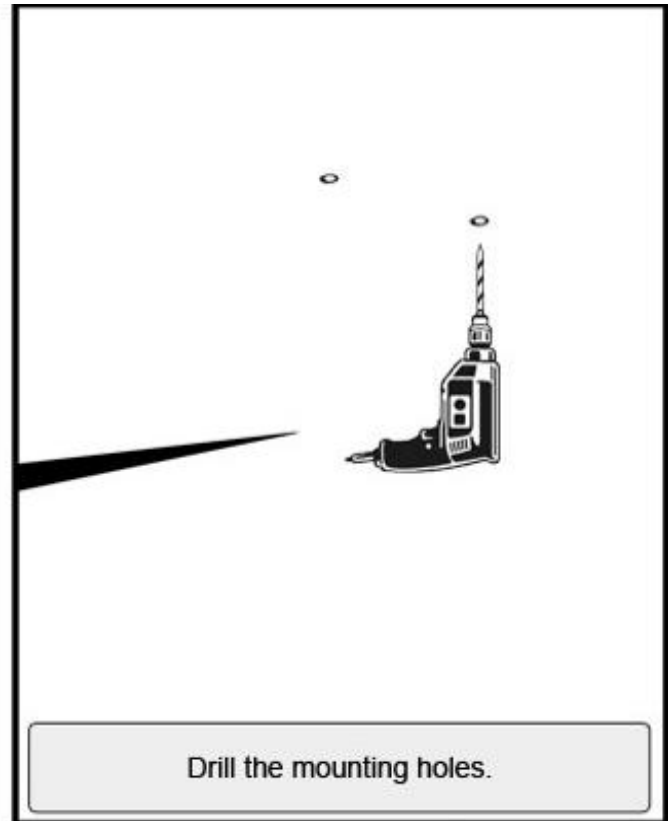
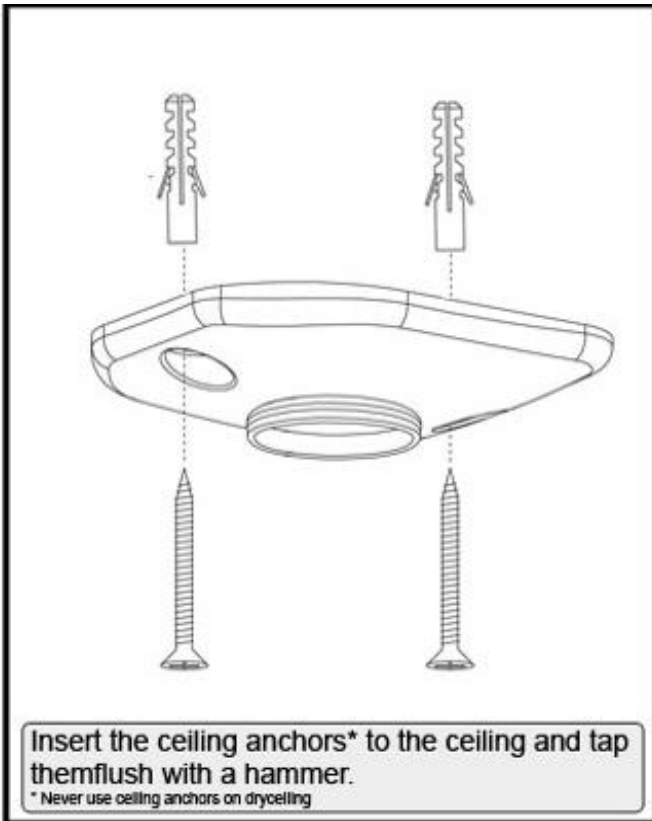


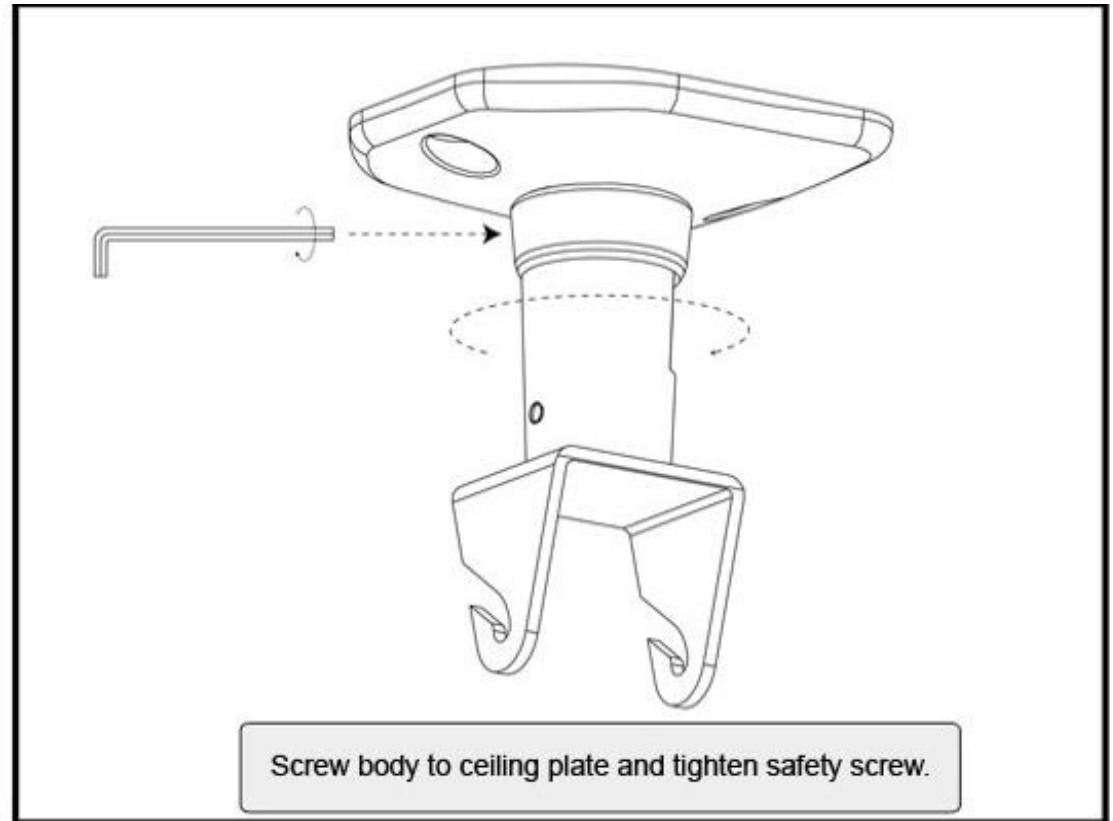
Level the mount and mark.



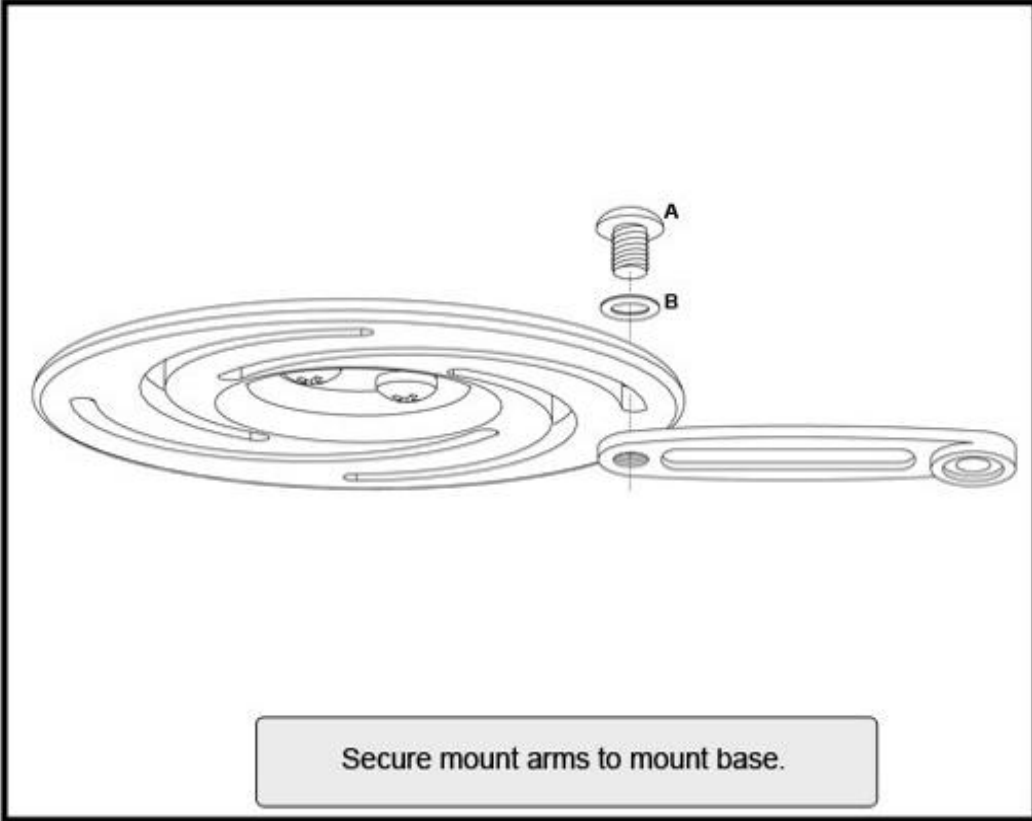
Drill the mounting holes.



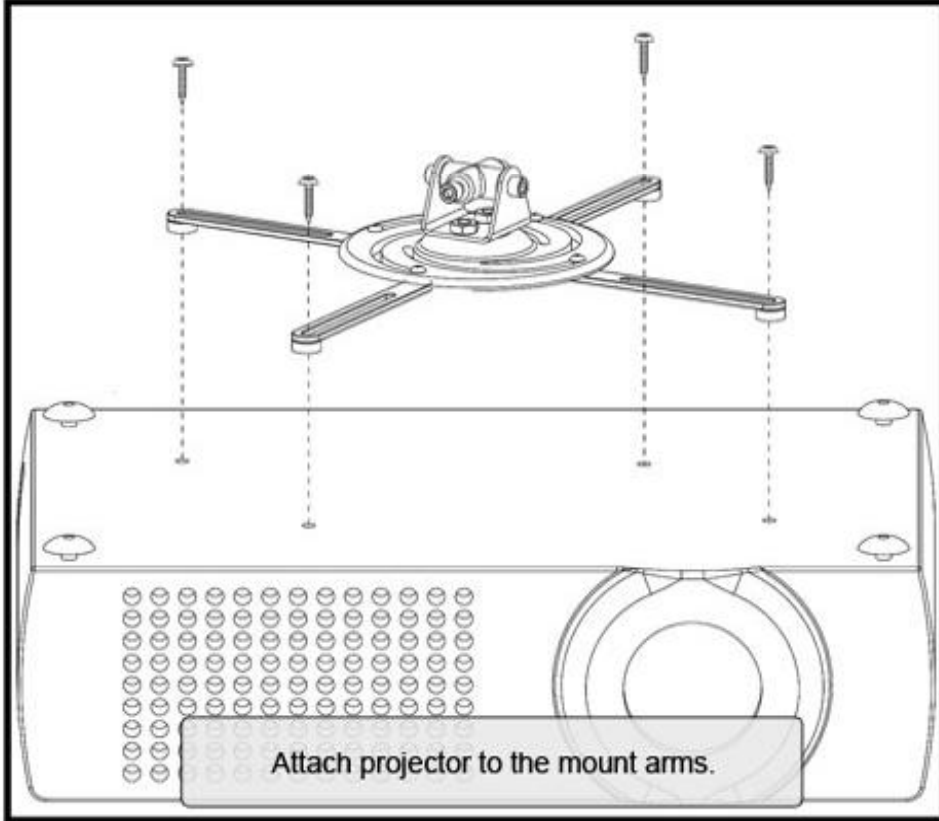
Insert the ceiling anchors\* to the ceiling and tap them flush with a hammer.  
\* Never use ceiling anchors on dry ceiling



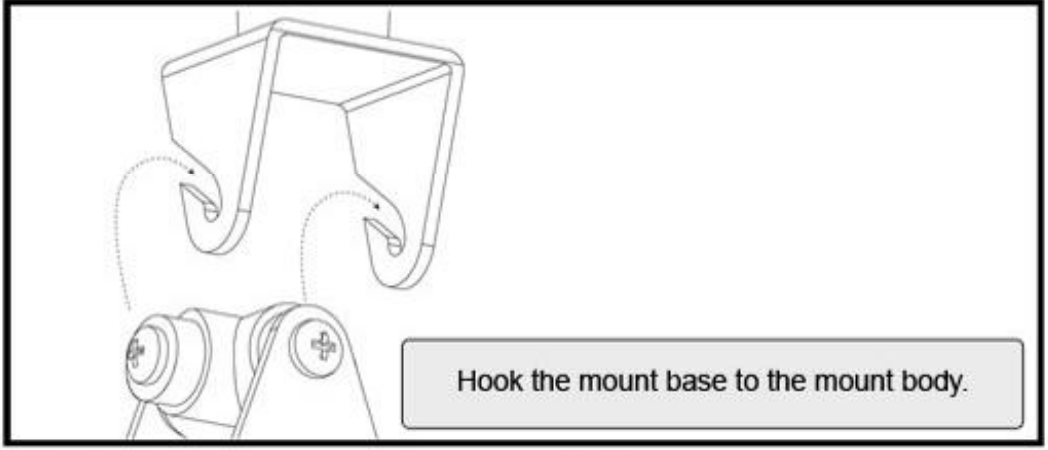
Screw body to ceiling plate and tighten safety screw.



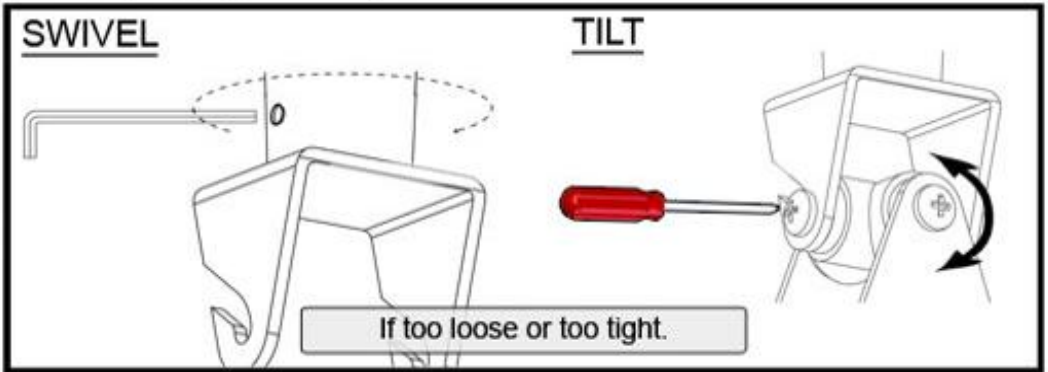
Secure mount arms to mount base.



Attach projector to the mount arms.


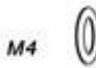
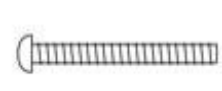
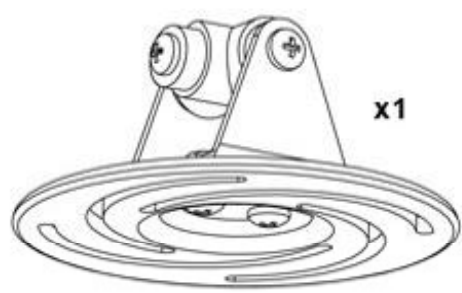
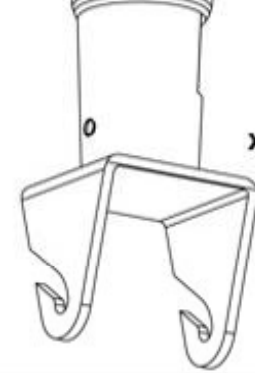

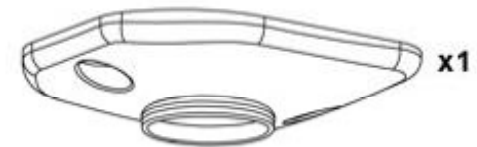

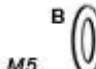
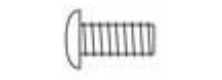





Hook the mount base to the mount body.



If too loose or too tight.

**HARDWARE KIT**

 x2	M4  x4	M4  x4	 x1	 x1	 x4	 x1
 x2	M5  x4	M6  x4				
 x4	 x1	M6  x4				

