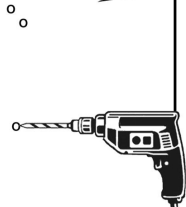


Level the mount and mark.

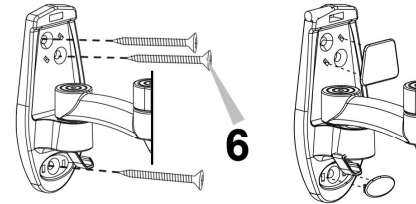


Drill the mounting holes.

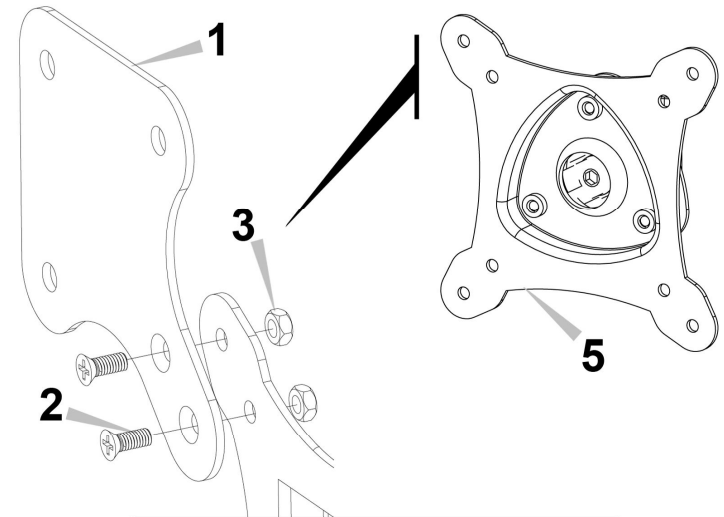


Insert the wall anchors\* to the wall and tap them flush with a hammer.

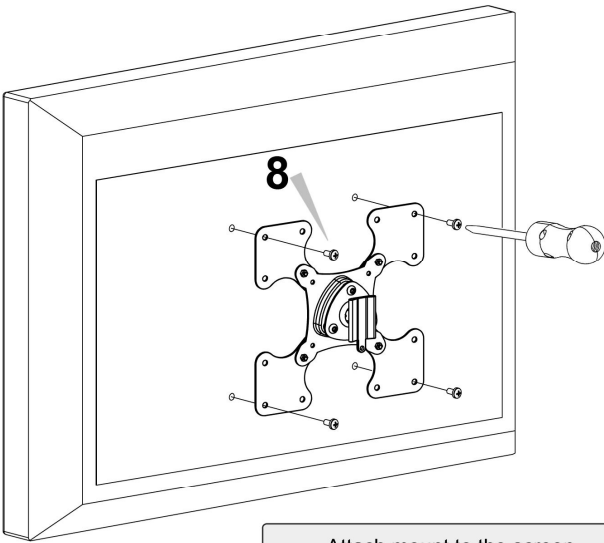
\* Never use wall anchors on drywall



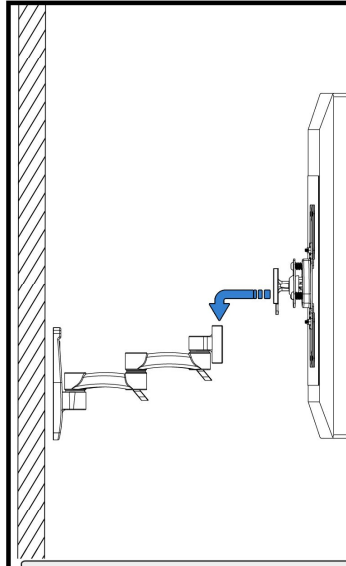
Fix the plate to the wall.



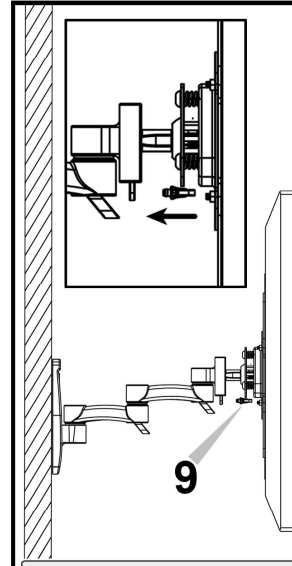
Attach the extensions to the base if needed.



Attach mount to the screen.



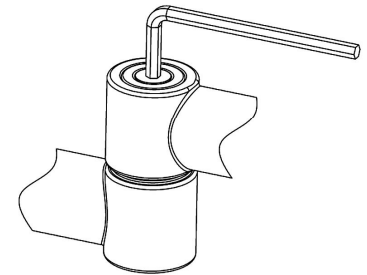
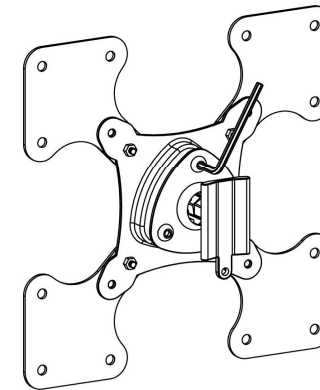
Mount screen to the body.



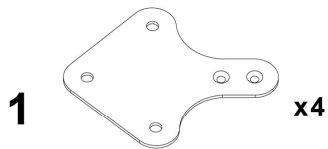
Secure the safety lock.

ROTATE & TILT

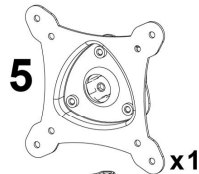
SWIVEL



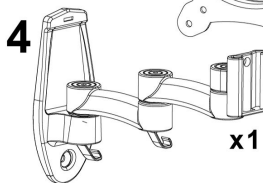
If too loose or too tight.



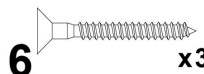
1 x4



5 x1



4 x1



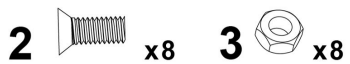
6 x3



M4x12 x4 M6x12 x4



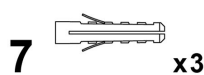
9 x1



2 x8



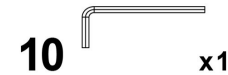
3 x8



7 x3



M8x12 x4 M8x25 x4



10 x1

**SONOROUS**  
SOUND AND VISION IN STYLE