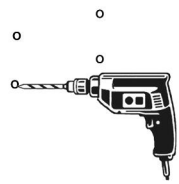
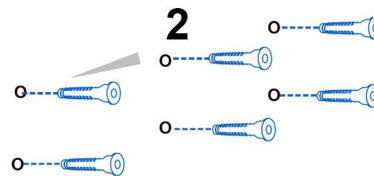


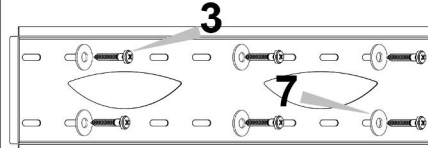
Level the mount and mark.



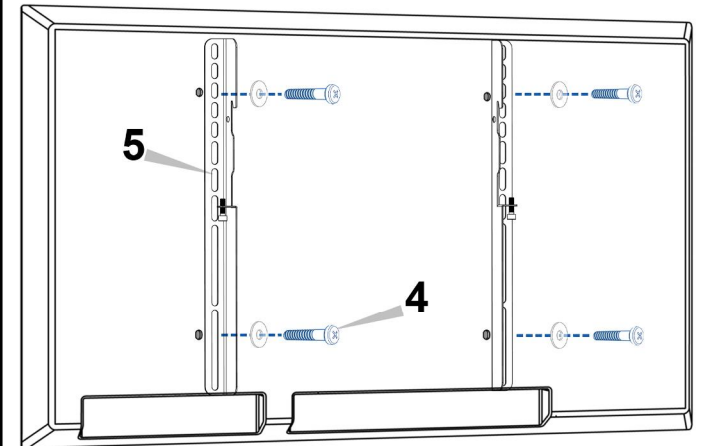
Drill the mounting holes.



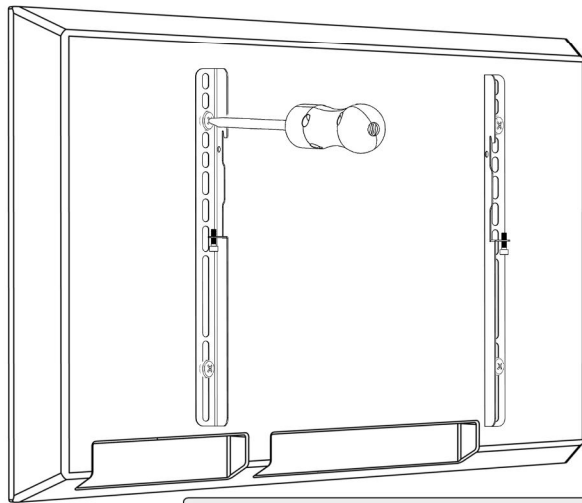
Insert the wall anchors* to the wall and tap them flush with a hammer.
* Never use wall anchors on drywall



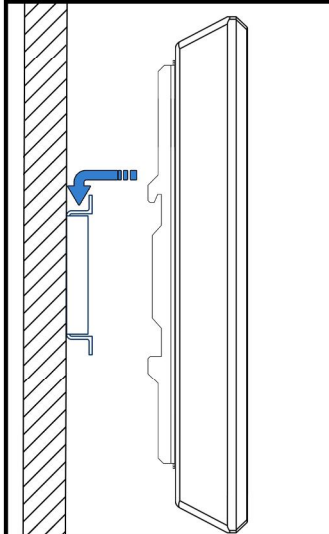
Fix the plate to the wall.



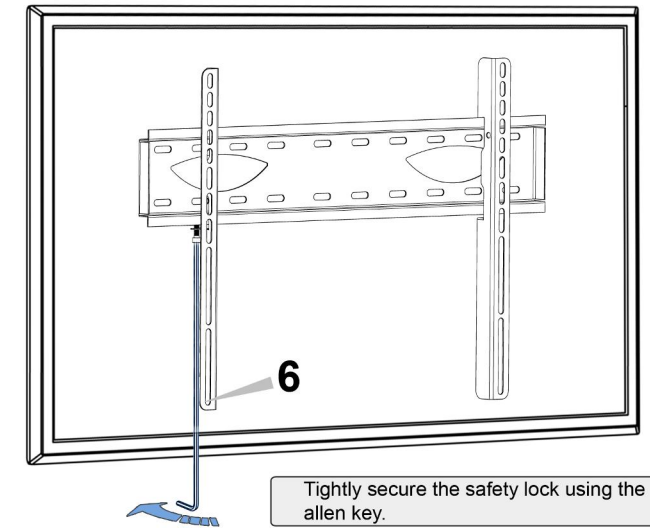
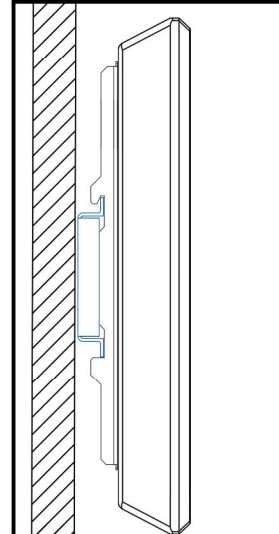
Attach the mounting rails to screen.
- Ensure that each rail mounting slot is facing down.
- Use the selected screws and washers to mount the rail to screen.



Tightly secure the mounting screws.



Mount screen to the wall.



Tightly secure the safety lock using the allen key.

