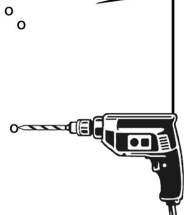


Level the mount and mark.

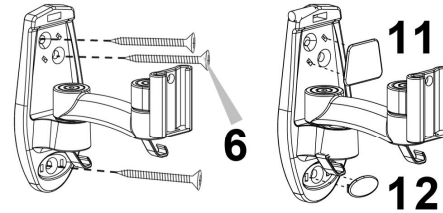


Drill the mounting holes.

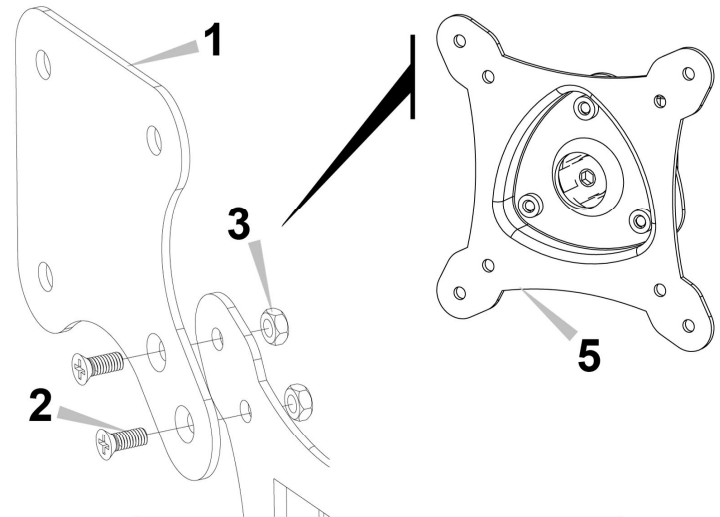


Insert the wall anchors* to the wall and tap them flush with a hammer.

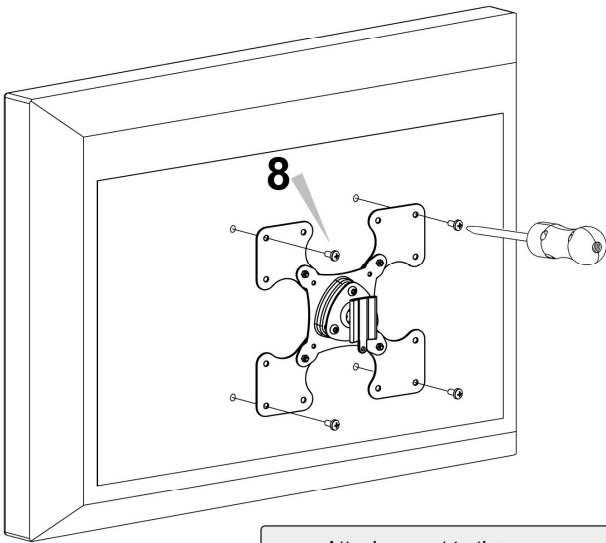
* Never use wall anchors on drywall



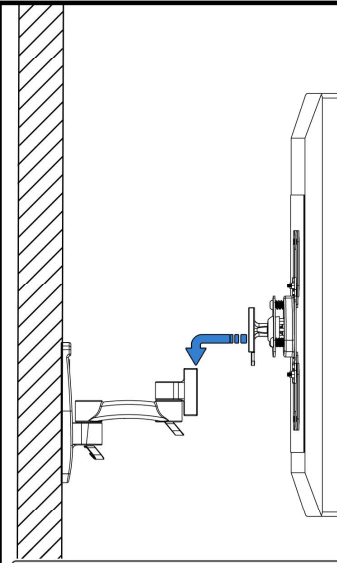
Fix the plate to the wall.



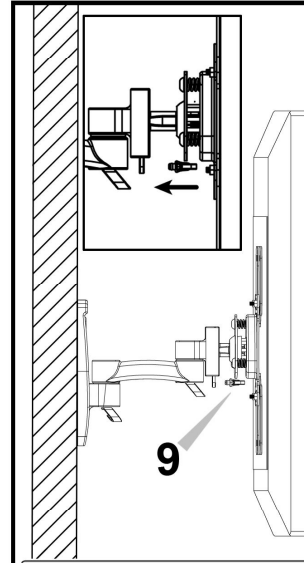
Attach the extensions to the base if needed.



Attach mount to the screen.



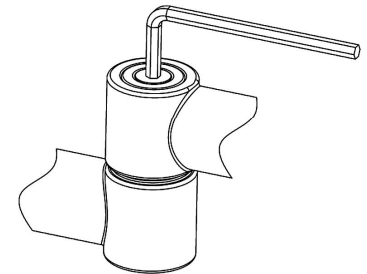
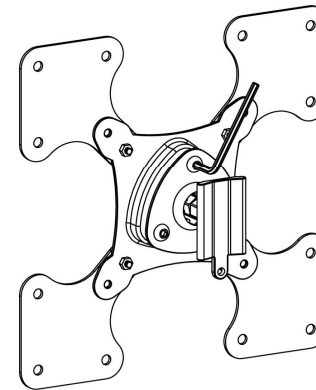
Mount screen to the body.



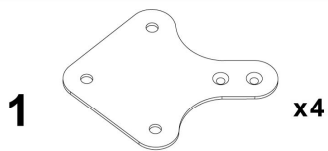
Secure the safety lock.

ROTATE & TILT

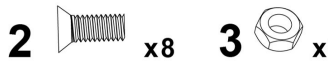
SWIVEL



If too loose or too tight.



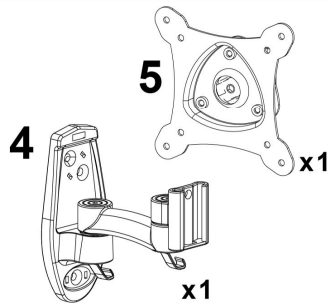
x4



x8



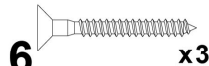
x8



x1



x1



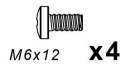
x3



x3



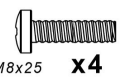
M4x12 x4



M6x12 x4



M8x12 x4



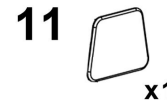
M8x25 x4



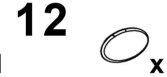
x1



x1



x1



x1

SONOROUS
SOUND AND VISION IN STYLE