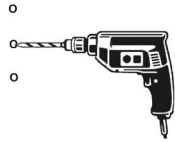
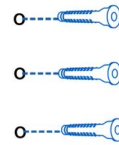


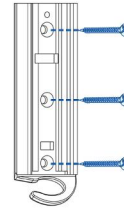
Level the mount and mark.



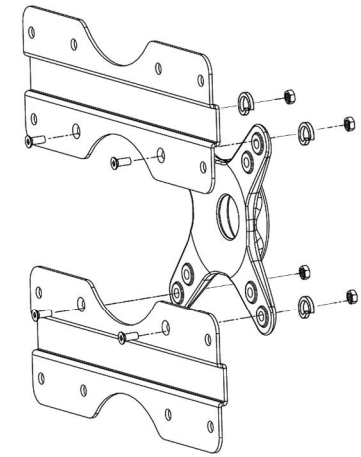
Drill the mounting holes.



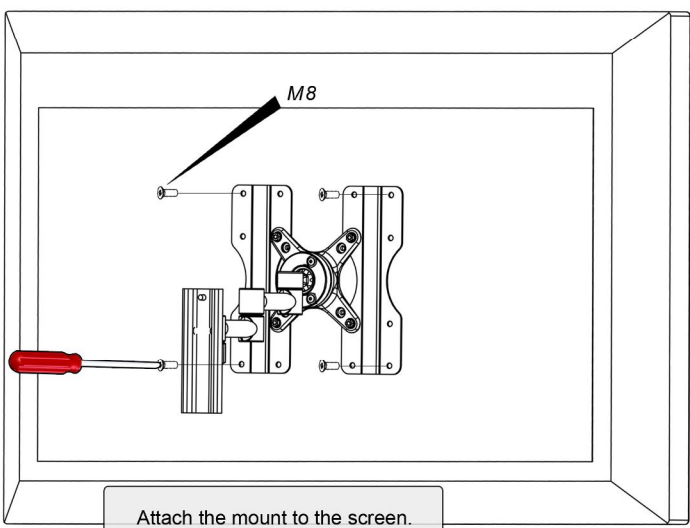
Insert the wall anchors* to the wall and tap them flush with a hammer.
* Never use wall anchors on drywall.



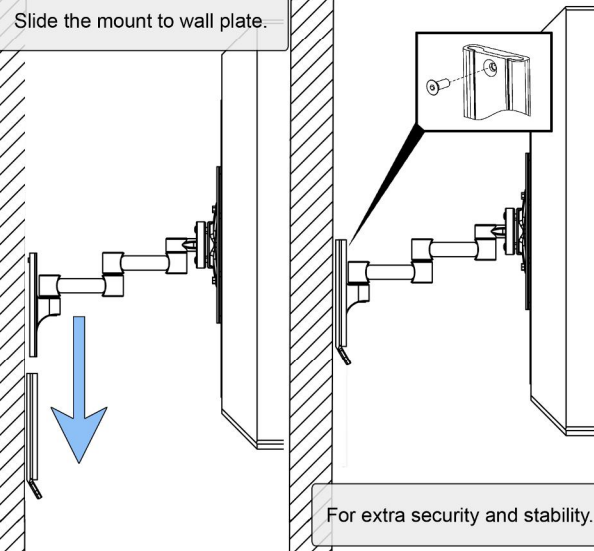
Fix the plate to the wall.



Attach the extensions to the base if needed.



Attach the mount to the screen.

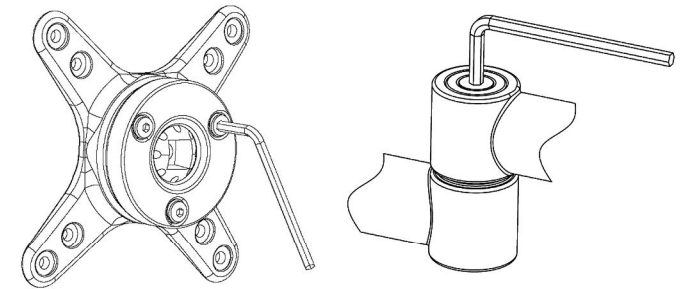


Slide the mount to wall plate.

For extra security and stability.

ROTATE & TILT

SWIVEL



If too loose or too tight.

HARDWARE KIT

